

WAFER TYPE BUTTERFLY VALVES TW 80/TW 100



Wafer type butterfly valve TW 100 with NBR seat

TECHNICAL DATA

Nominal diameter:	DN 80, DN 100
Face-to-face:	EBRO works standard
Flange accommodation:	DIN 28459 flanges for tank lorries
Flange Surface Design:	DIN 2526, Form A-E, ANSI RF
Tightness check:	DIN 3230 T3 BO, BN (Leakage Rate 1) ISO 5208, Category 3 API 598 Table 5 ANSI B 16-104, Class VI
Temperature range:	-20 °C to + 80 °C (depending on pressure and medium)
Operating pressure:	max. 6 bar
Differential pressure:	max. Δp 6 bar
Body:	Aluminium alloy
Seat:	EPDM (Ethylene propylene caoutchouc) NBR (Acrylonitrile butadiene rubber) FPM (Fluorocarbon caoutchouc) AU (Polyurethane) PTFE (Polytetrafluorethylene)
Disc:	Stainless Steel

FEATURES

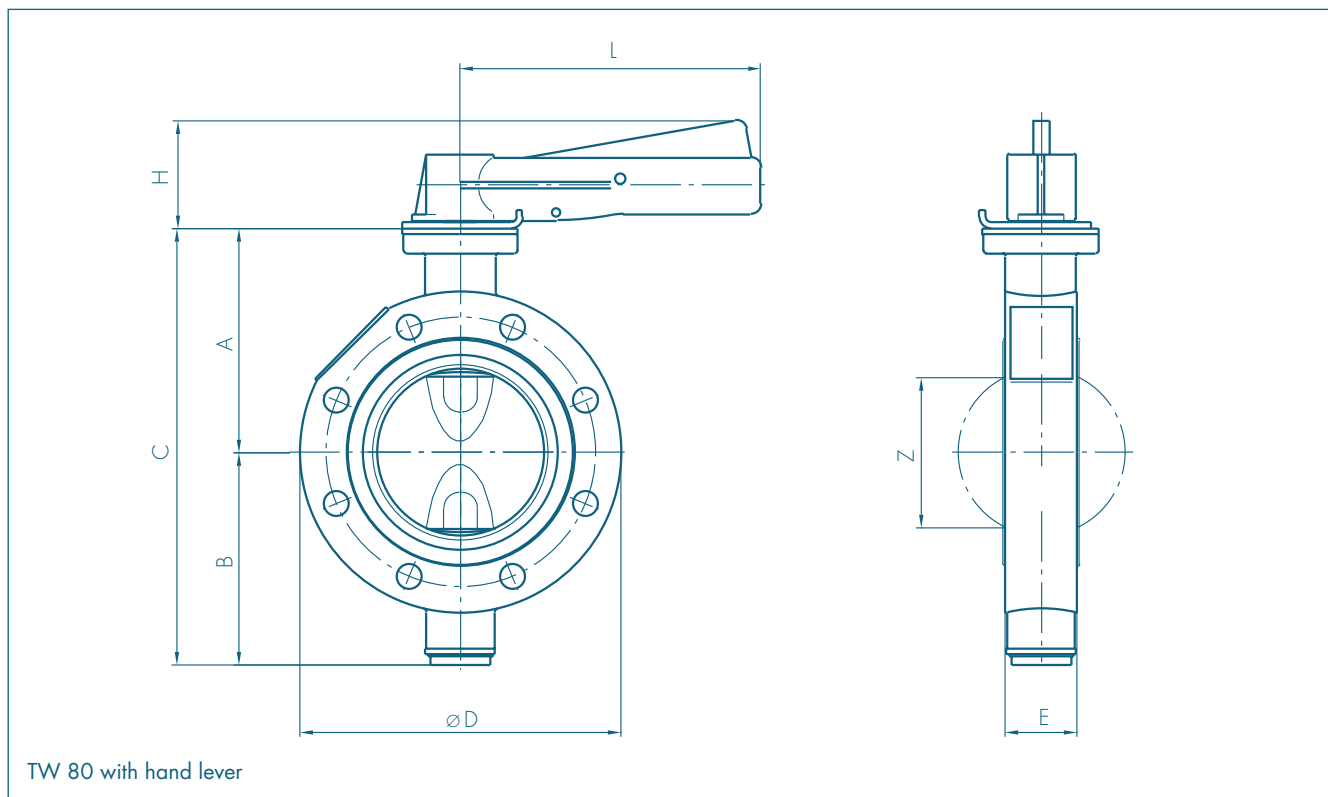
- Maintenance-free
- Triple shaft bearing
- Can be disassembled, material-specific recycling possible

GENERAL APPLICATIONS

- Tank lorries



WAFER TYPE BUTTERFLY VALVES TW 80/TW 100



DN [mm]	Size [in]	Dimensions [mm]					H	L	Z	Weight [kg]
		A	B	C	D	E				
80	3	108	103	211	155	35	52	145	71	2,3
100	4	118	113	231	174	35	52	145	93	2,6

TW DN 125: upon request

Subject to change without notice.